

REIZEN

INDIRECT ASYMMETRIC LUMINAIRE

SPECIFICATION SHEET
OUTDOOR & NATATORIUM

Housing

Diameter : 13" x 9.8"x4.33" | Weight : 19.8 lbs

Material

Housing : High Pressure Die-Cast Aluminum
Lens : Tempered Glass

Power Input

100W, 150W, 200W, 300W | 120-277V, 347-480V

Lumen Output

11,500 lm (100W), 20,850 lm (150W), 22,500 lm (200W), 40,850 lm (300W)

Dimming

Standard 1-10V : Dims to 10%
DALI : DALI dims to 10%

Color Quality

CRI 85

Rated Life

> 100,000 Hours (L70)

Finish



Black



White

Color Temperature



3000K



3500K



4000K



5000K

Optics



Asymmetric

Mounting



Stem
Mount



210L & 370L
Stem Mount



Wall
Mount

Warranty

5 Year limited warranty

Listing



Light Shaping Prismatic Technology

Using the latest light shaping prismatic technology, the Reizen offers smooth uniform asymmetric lighting up to 40,850 lumens, and is suitable for both outdoor and natatorium use. It features Tunable White and W+RGB color changing options, offering a subtle yet dramatic flair to any space.

Superior performance, in a compact-sized fixture is a true highlight of the Reizen luminaire, which are available in both sconce and pendant forms.



METEOR

meteor-lighting.com

SPECIFICATION SHEET / OUTDOOR & NATATORIUM

REIZEN INDIRECT ASYMMETRIC LUMINAIRE



SPECIFICATION

PROJECT NAME

DATE

CATALOG #

QUANTITY

The product configurator function on this page works only with the latest version of Chrome or Adobe Acrobat Reader.

<input type="text" value="RI"/>	MODEL	REIZEN		
<input type="text"/>	LIGHT SOURCE	110L 100W Light Engine 370L 300W Light Engine	190L 150W Light Engine	210L 200W Light Engine
<input type="text"/>	CCT / CRI	308 3000K / CRI 85 507 5000K / CRI 75	358 3500K / CRI 85	408 4000K / CRI 85
<input type="text"/>	VOLTAGE	UNV 120 – 277V	HVT 347 – 480V	
<input type="text"/>	DIMMING	STV Standard 1-10V dims to 10%	DALI DALI dims to 10%	
<input type="text" value="ASY"/>	BEAM ANGLE	ASY Asymmetric		
<input type="text"/>	FINISH	BLK Black	WHT White	
<input type="text"/>	MOUNTING	WLM Wall Mount	ST4 Stem 4ft	ST8¹ Stem 8ft
<input type="text"/>	ACCESSORIES	GSV² Glare Shield Visor		
<input type="text"/>	RATING	OUT³ Outdoor Rating	NAT⁴ Natatorium Rating	

CLEAR FORM

¹ ST8 includes two 4ft stem connected by an adapter
² GSV option reduces delivered lumens by ~10%
³ Outdoor Rating: Coating and wiring will be changed to high UV resistant and corrosion resistant materials for long-term operation in outdoor environments
⁴ Natatorium Rating: Coating and sealant will be changed to high corrosion resistant materials to prevent damage from long-term exposure to chlorine vapors

TECHNICAL DETAILS

Electrical

- 11,500 lm (100W), 20,850 lm (150W), 22,500 lm (200W), 40,850 lm (300W)
- Power Input : Universal (120-277V), HVT(347-480V)
- Operating Temperature : -40°F~113°F
- Surge Protection : Built-in is 4KV
- Power Factor Greater than 0.9

LED Features

- Color Temperature : 3000K, 3500K, 4000K, 5000K
- CRI 85
- Long lasting LED luminaire tested under TM21 lumen maintenance L70 @ 100,000 Hrs

Optics

- Precision molded high transmittance clear PC lens
- Beam Angle : Asymmetric

Advanced Dimming

- Proprietary VX Driver™ is incorporated to all dimming options for video flicker-free lighting
- Standard 1-10V : Dims to 10%
- DALI : DALI dims to 10%

Housing

- Diameter & Weight :
110L & 190L : 13" x 9.8" x 4.3", 19.8 lbs
210L & 370L : 24.9" x 9.8" x 4.3", 38.8 lbs
- Diameter & Weight with Visor :
110L & 190L : 13" x 14.8" x 4.3", 22.9 lbs
210L & 370L : 24.9" x 14.8" x 4.3", 44.9 lbs
- Material : High Pressure Die-Cast Aluminum, Tempered Glass

Mounting

- Wall Mount
- Stem Mount

Warranty

- 5-year limited warranty

Listing

- ETL Wet Location Listed
- CE
- FCC
- UKCA
- IP 65

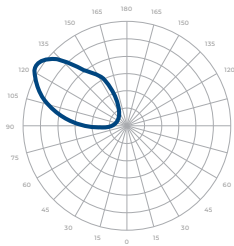
PERFORMANCE SUMMARY*

	Delivered Lumens			
CCT/WATTAGE	3000K	3500K	4000K	5000K
110L (100W)	10,150lm	10,600lm	10,900lm	11,500lm
190L (150W)	17,650lm	18,500lm	19,000lm	20,850lm
210L (200W)	19,850lm	20,500lm	21,350lm	22,500lm
370L (300W)	34,550lm	36,500lm	37,200lm	40,850lm

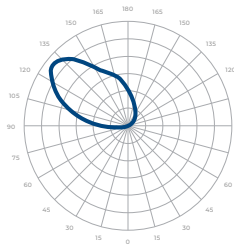
*Tolerance ±8%

	Current Consumption	
LIGHT SOURCE	120V	277V
110L (100W)	0.92A	0.4A
190L (150W)	1.38A	0.6A
210L (200W)	1.83A	0.8A
370L (300W)	2.75A	1.2A

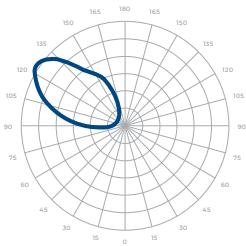
PHOTOMETRICS



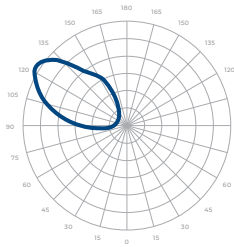
110L



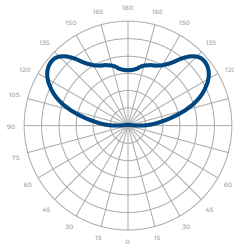
190L



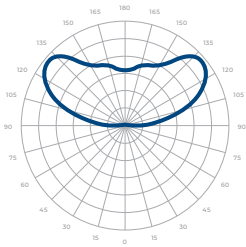
210L



370L



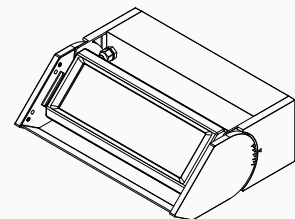
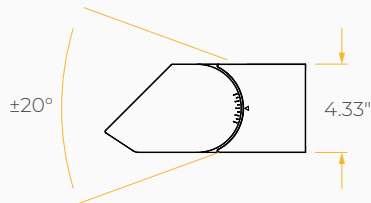
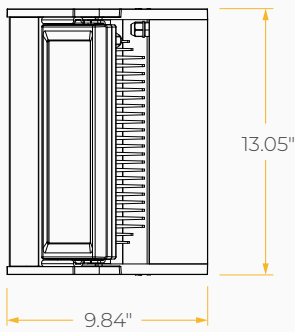
210L - STEM



370L - STEM

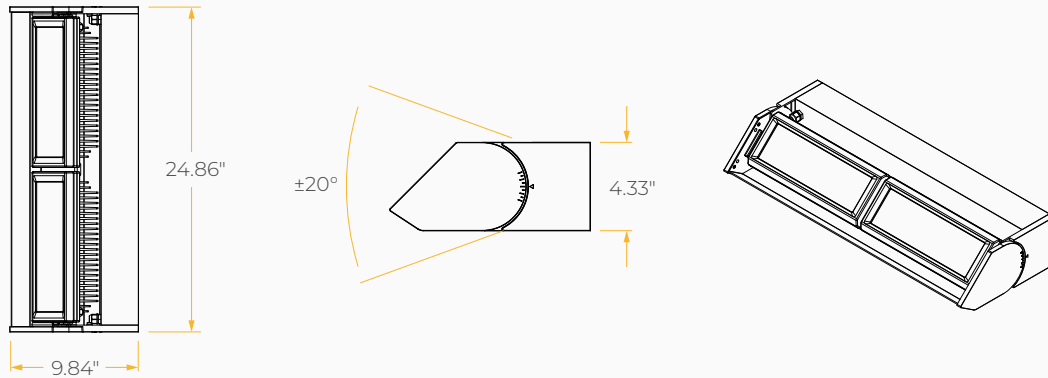
DIMENSIONS

110L & 190L / Wall Mount

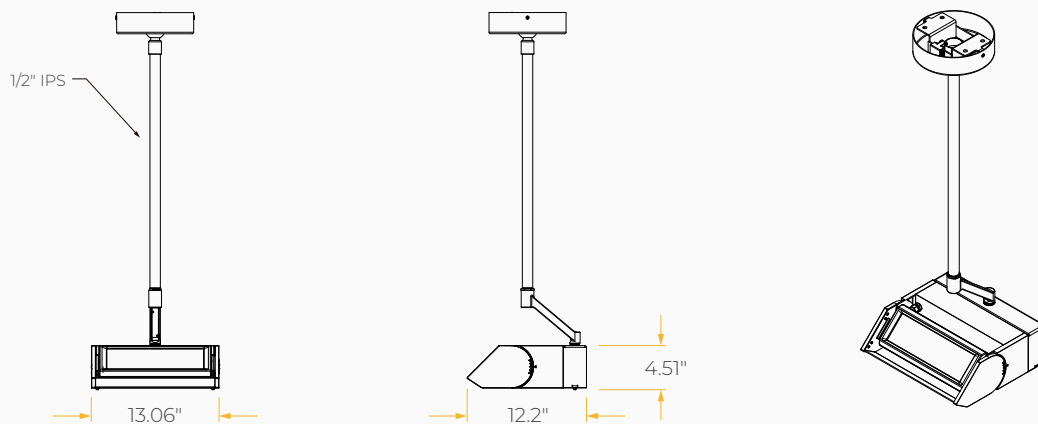


DIMENSIONS

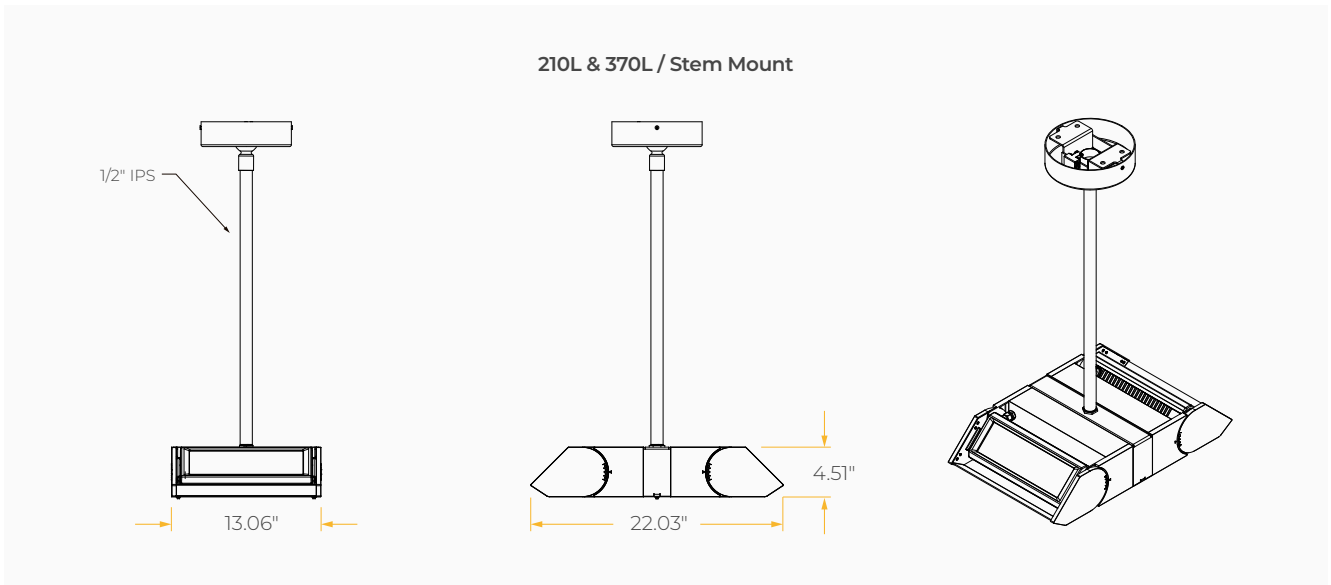
210L & 370L / Wall Mount



110L & 190L / Stem Mount



DIMENSIONS



ACCESSORIES

